

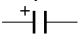

SCHEMATIC DIAGRAM

MODEL : 32A41 Chassis No. TAC0101
36A41 Chassis No. TAC0102

WARNING: BEFORE SERVICING THIS CHASSIS, READ THE "X-RAY RADIATION PRECAUTION", "SAFETY PRECAUTION" AND "PRODUCT SAFETY NOTICE" ON THE MANUAL FOR THIS MODEL.

CAUTION: The international hazard symbols " \triangle " in the schematic diagram and the parts list designate components which have special characteristics important for safety and should be replaced only with types identical to those in the original circuit or specified in the parts list. The mounting position of replacements is to be identical with originals. Before replacing any of these components, read carefully the PRODUCT SAFETY NOTICE on the MANUAL for this model. Do not degrade the safety of the receiver through improper servicing.

NOTE:

- RESISTOR** Resistance is shown in ohm [K = 1.000, M = 1.000.000]. All resistors are 1/6W and 5% tolerance carbon resistor, unless otherwise noted as the following marks.
1/2R = Metal or Metal oxide of 1/2 watt 1/2S = Carbon composition of 1/2 watt
1RF = Fuse resistor of 1 watt 10W = Cement of 10 watt
K = $\pm 10\%$ G = $\pm 2\%$ F = $\pm 1\%$
- CAPACITOR** Unless otherwise noted in schematic, all capacitor values less than 1 are expressed in μF , and the values more than 1 in pF.
All capacitors are ceramic 50V, unless otherwise noted as the following marks.
 Electrolytic capacitor  Mylar capacitor
- The parts indicated with " \triangle " have special characteristics, and should be replaced with identical parts only.
- Voltages read with DIGITAL MULTI-METER from point indicated to chassing ground, using a color bar signal with all controls at normal, line voltage 120 volts.
- Waveforms are taken receiving color bar signal with enough sensitivity.
- Voltage reading shown are nominal values and may vary $\pm 20\%$ except H.V.

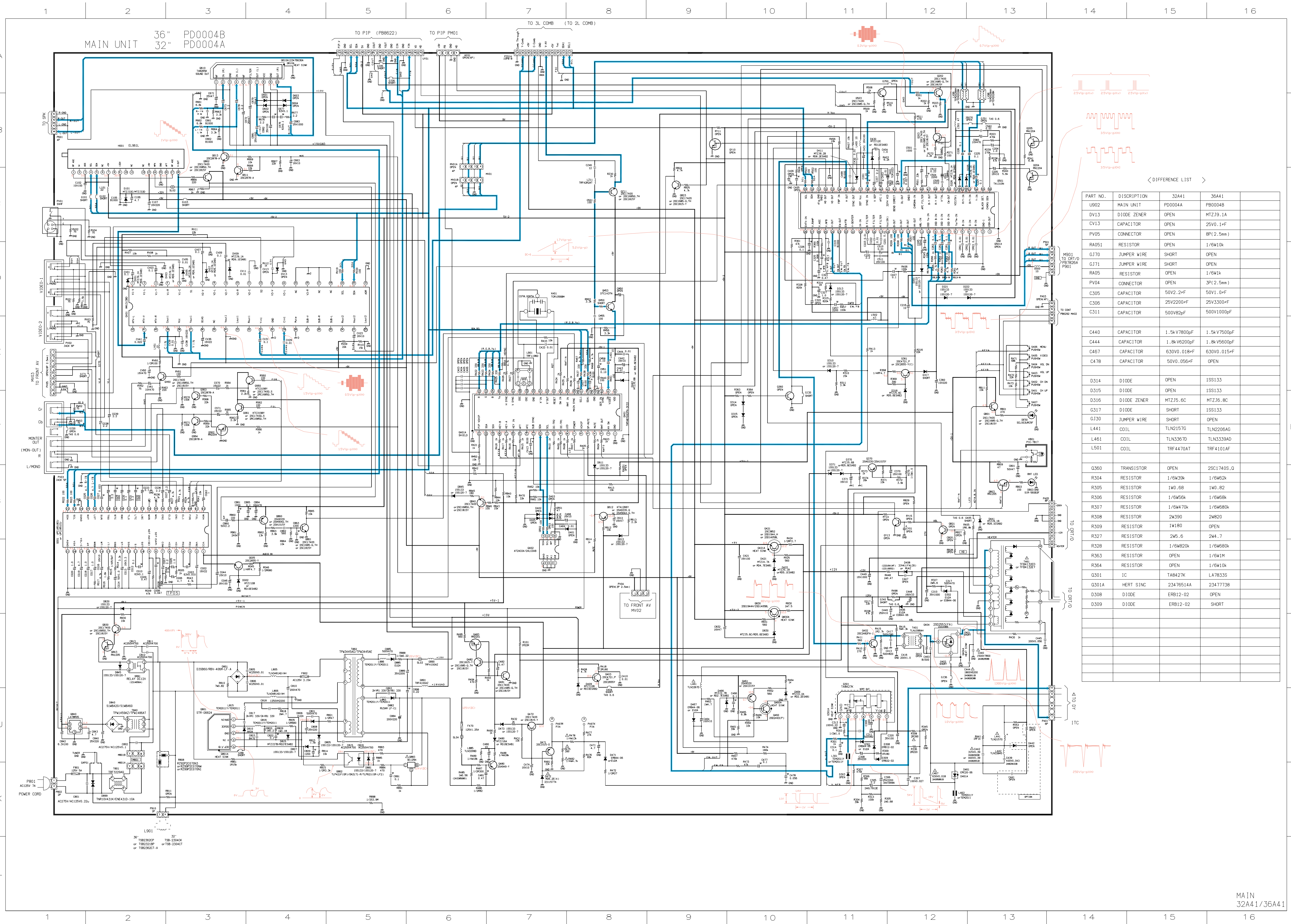
WARNING: BEFORE SERVICING THIS CHASSIS, READ THE "X-RAY RADIATION PRECAUTION", "SAFETY PRECAUTION" AND "PRODUCT SAFETY NOTICE" ON THE MANUAL FOR THIS MODEL.

CAUTION: The international hazard symbols "Δ" in the schematic diagram and the parts list designate components which have special characteristics important for safety and should be replaced only with types identical to those in the original circuit or specified in the parts list. The mounting position of replacements is to be identical with originals. Before replacing any of these components, read carefully the PRODUCT SAFETY NOTICE on the MANUAL for this model. Do not degrade the safety of the receiver through improper servicing.

NOTE:

- 1. RESISTOR Resistance is shown in ohm [K = 1,000, M = 1,000,000]. All resistors are 1/6W and 5% tolerance carbon resistor, unless otherwise noted as the following marks.
1/2R = Metal or Metal oxide of 1/2 watt
1RF = Fuse resistor of 1 watt
K = ±10% G = ±2% F = ±1%
- 2. CAPACITOR Unless otherwise noted in schematic, all capacitor values less than 1 are expressed in μF, and the values more than 1 in pF.
All capacitors are ceramic 50V, unless otherwise noted as the following marks.
—|— Electrolytic capacitor —|— Mylar capacitor
- 3. The parts indicated with "Δ" have special characteristics, and should be replaced with identical parts only.

- 4. Voltages read with DIGITAL MULTI-METER from point indicated to chassis ground, using a color bar signal with all controls at normal, line voltage 120 volts.
- 5. Waveforms are taken receiving color bar signal with enough sensitivity.
- 6. Voltage reading shown are nominal values and may vary ±20% except H.V.



< DIFFERENCE LIST >

PART NO.	DISCRIPTION	32A41	36A41
U802	MAIN UNIT	P00004A	P80004B
DV13	DIODE ZENER	OPEN	MT279.1A
CV13	CAPACITOR	OPEN	25V0.14F
PV05	CONNECTOR	OPEN	BP(2.5mm)
RA051	RESISTOR	OPEN	1/6W41k
G270	JUMPER WIRE	SHORT	OPEN
G271	JUMPER WIRE	SHORT	OPEN
RA04	RESISTOR	OPEN	1/6W41k
PV04	CONNECTOR	OPEN	3PI(2.5mm)
C305	CAPACITOR	50V2.24F	50V1.54F
C306	CAPACITOR	25V22004F	25V33004F
C311	CAPACITOR	500V920pF	500V1000pF
C440	CAPACITOR	1.5kV7800pF	1.5kV7500pF
C444	CAPACITOR	1.8kV6200pF	1.8kV5600pF
C467	CAPACITOR	630V0.0184F	630V0.0154F
C478	CAPACITOR	50V0.0564F	OPEN
D314	DIODE	OPEN	1S8133
D315	DIODE	OPEN	1S8133
D316	DIODE ZENER	MT279.6C	MT276.8C
G317	DIODE	SHORT	1S8133
G130	JUMPER WIRE	SHORT	OPEN
L441	COIL	TLN2157G	TLN2208AG
L461	COIL	TLN3670	TLN3339AD
L501	COIL	TRF4470AT	TRF4101AF
R360	TRANSISTOR	OPEN	2SC1740S.D
R304	RESISTOR	1/6W39k	1/6W65k
R305	RESISTOR	1W0.68	1W0.82
R306	RESISTOR	1/6W56k	1/6W65k
R307	RESISTOR	1/6W470k	1/6W680k
R308	RESISTOR	2k390	2W820
R309	RESISTOR	1W180	OPEN
R327	RESISTOR	2W5.6	2W4.7
R328	RESISTOR	1/6W820k	1/6W650k
R363	RESISTOR	OPEN	1/6W11k
R364	RESISTOR	OPEN	1/6W11k
Q301	IC	T8427K	LA7833S
Q301A	HERT SINC	23476514A	2347773B
D308	DIODE	ERB12-02	OPEN
D309	DIODE	ERB12-02	SHORT

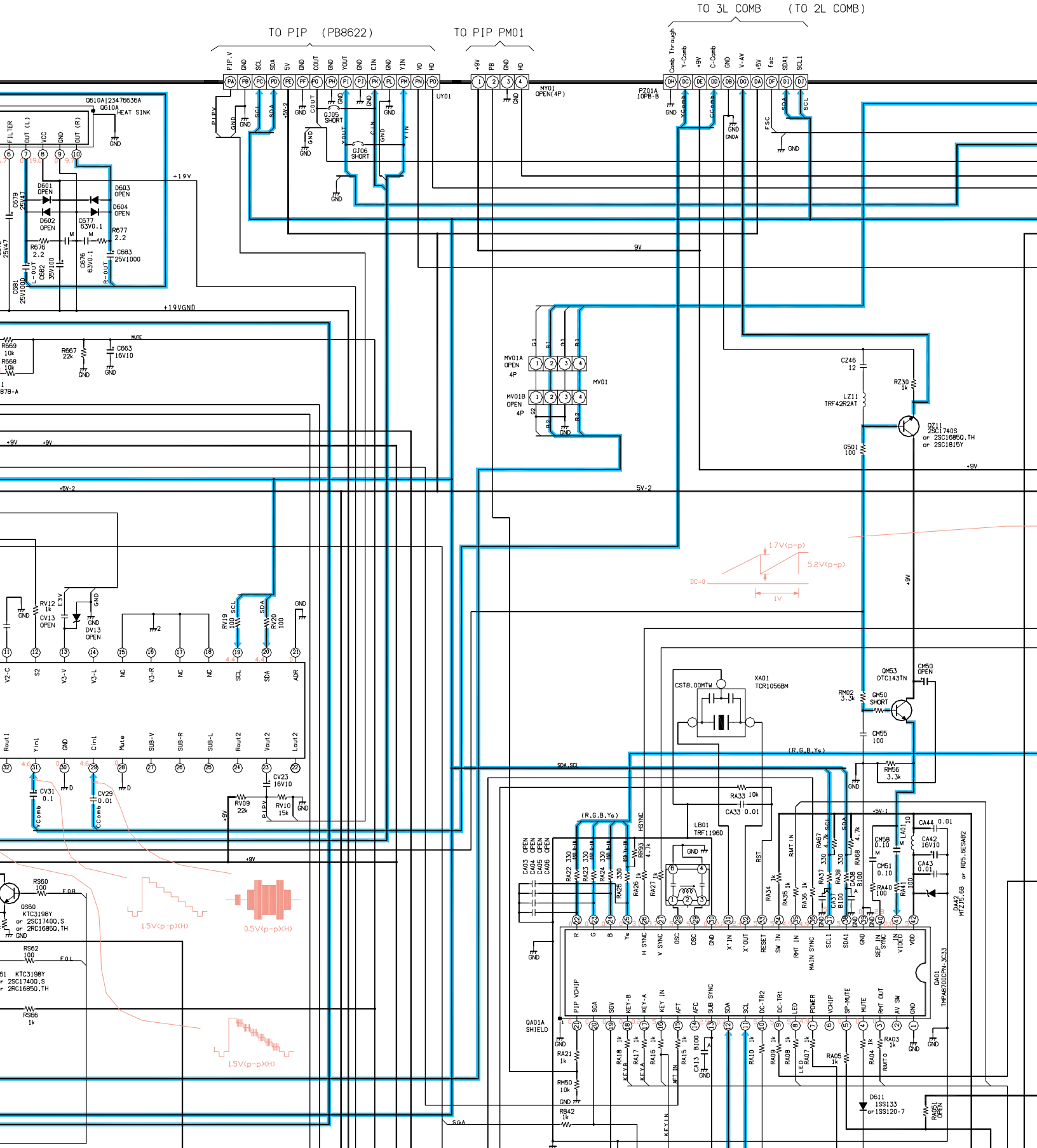
4

5

6

7

8



(MON-OUT)
R
L/MONO

G

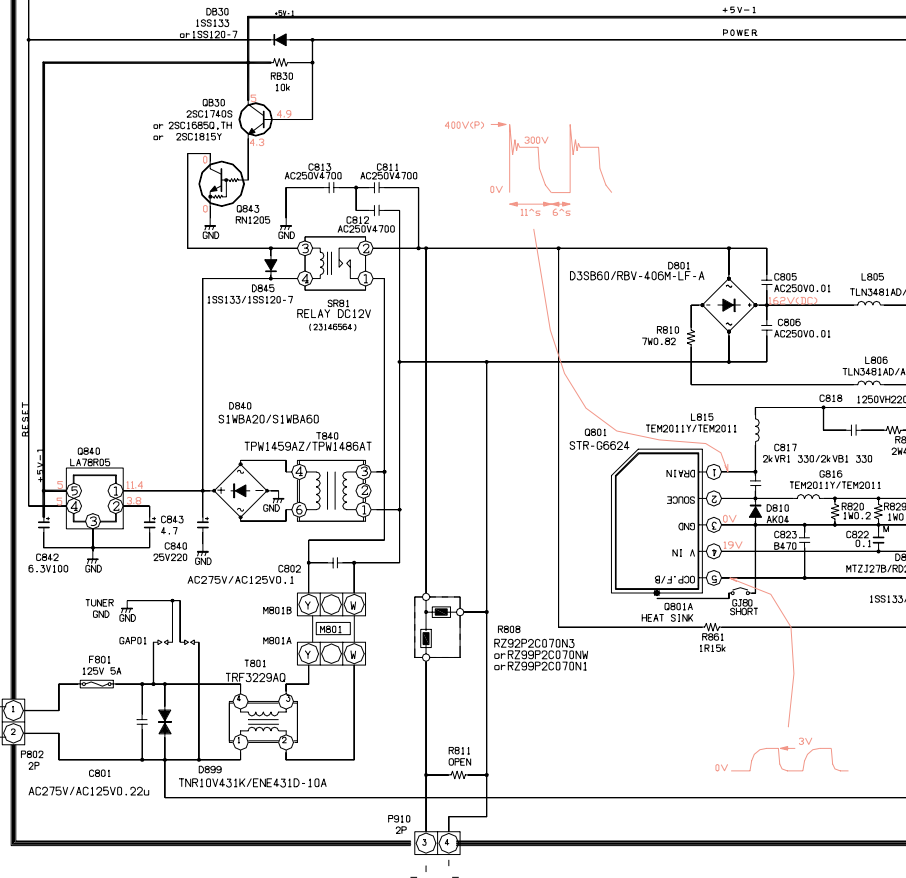
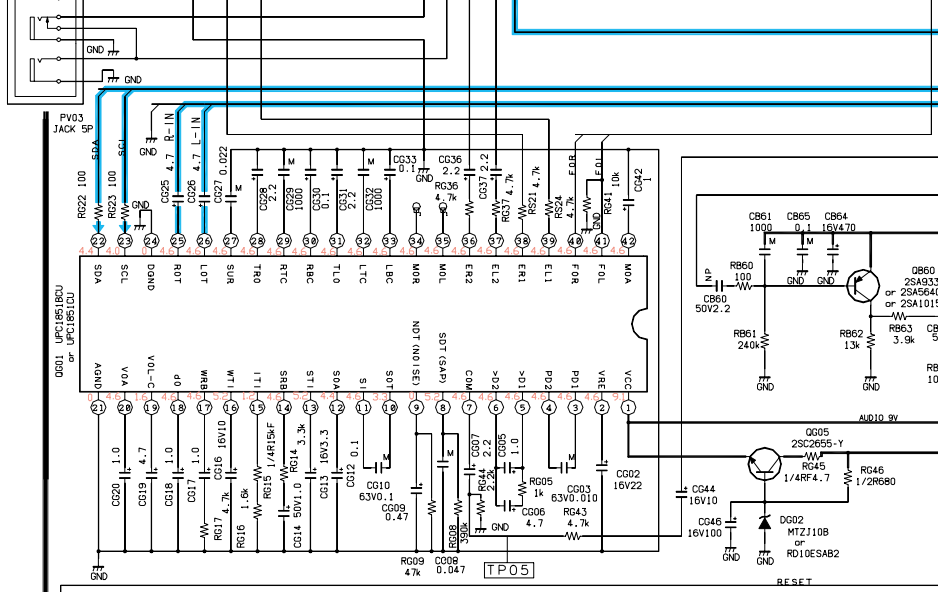
H

I

J

K

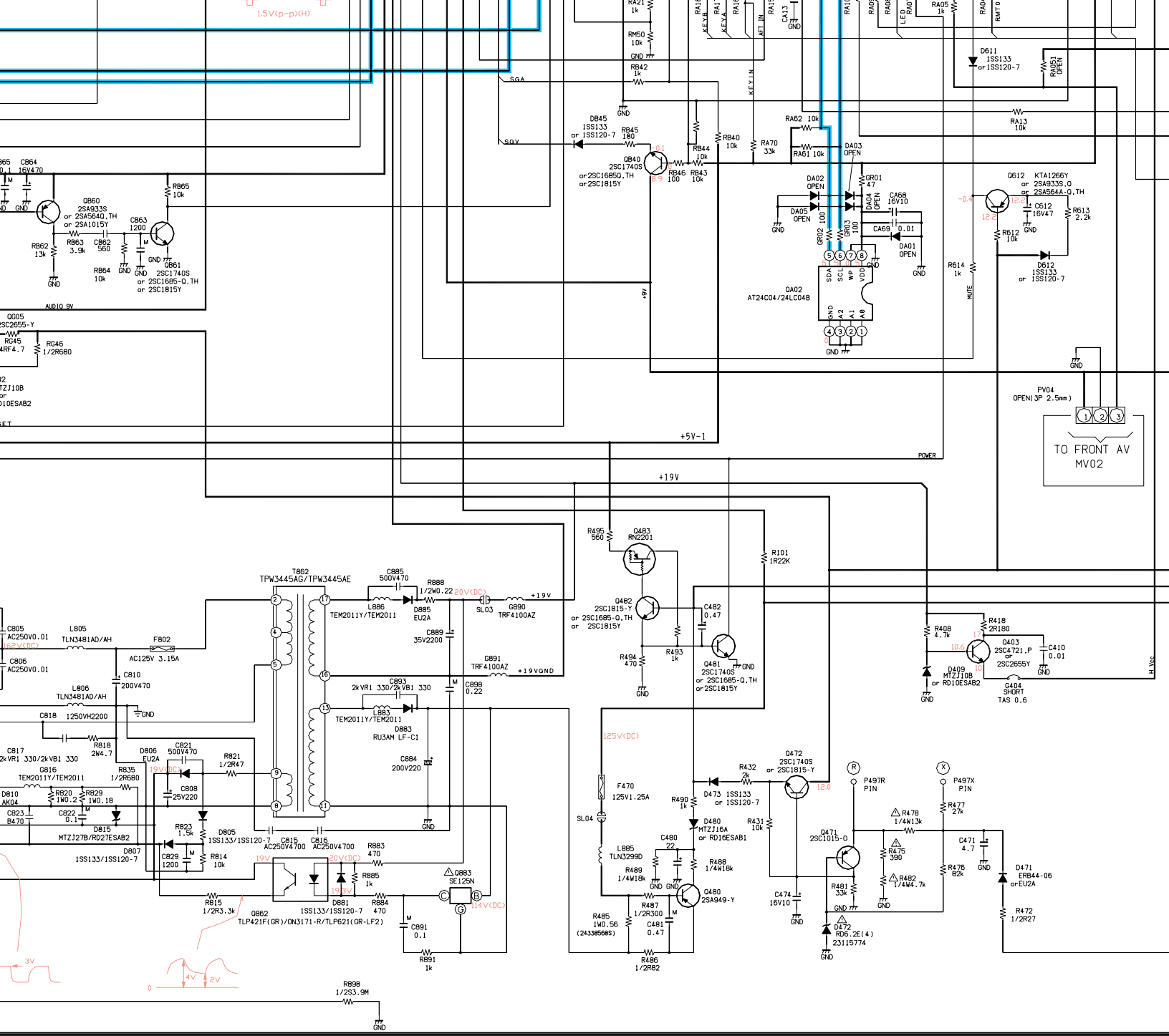
L

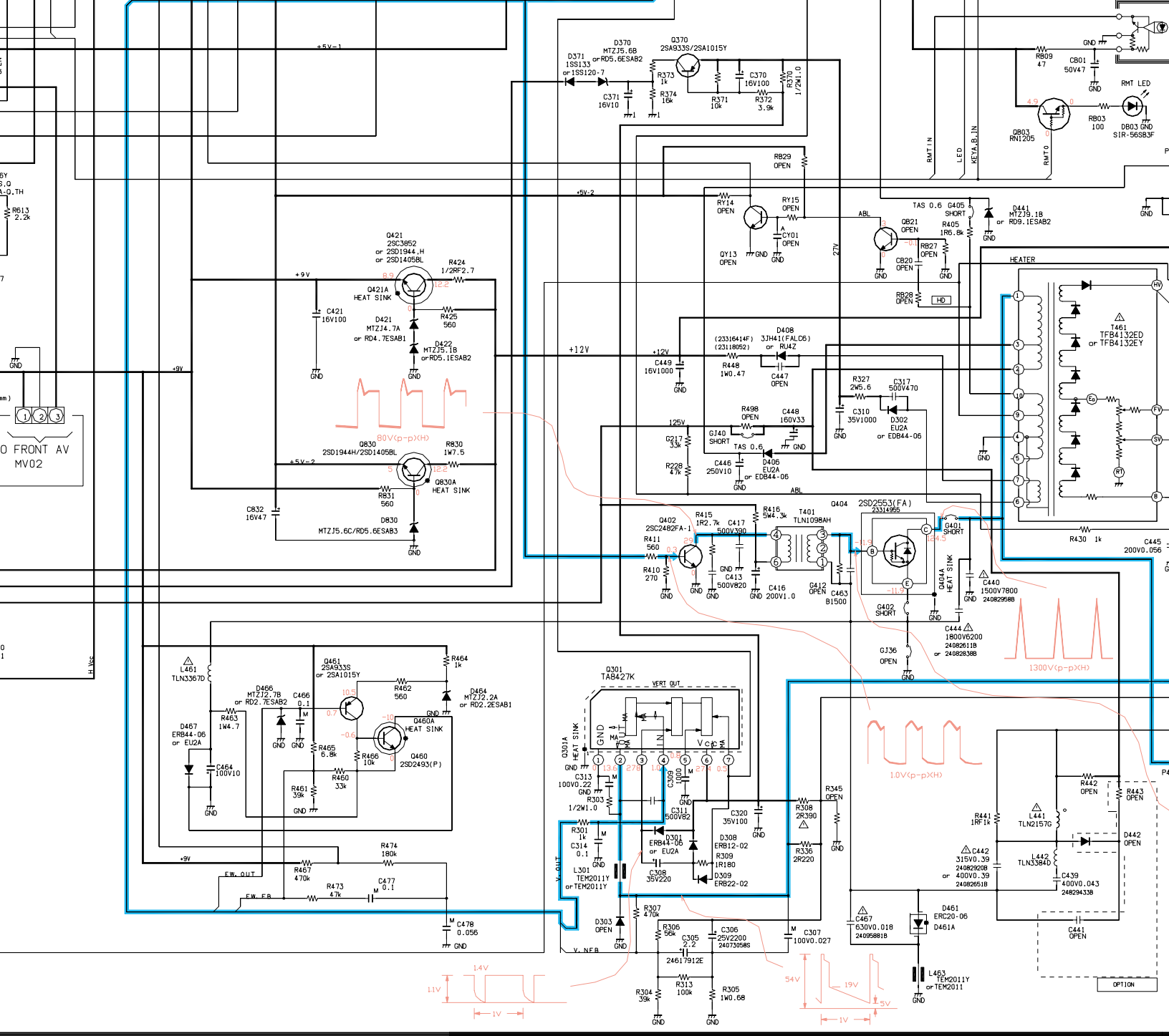


1

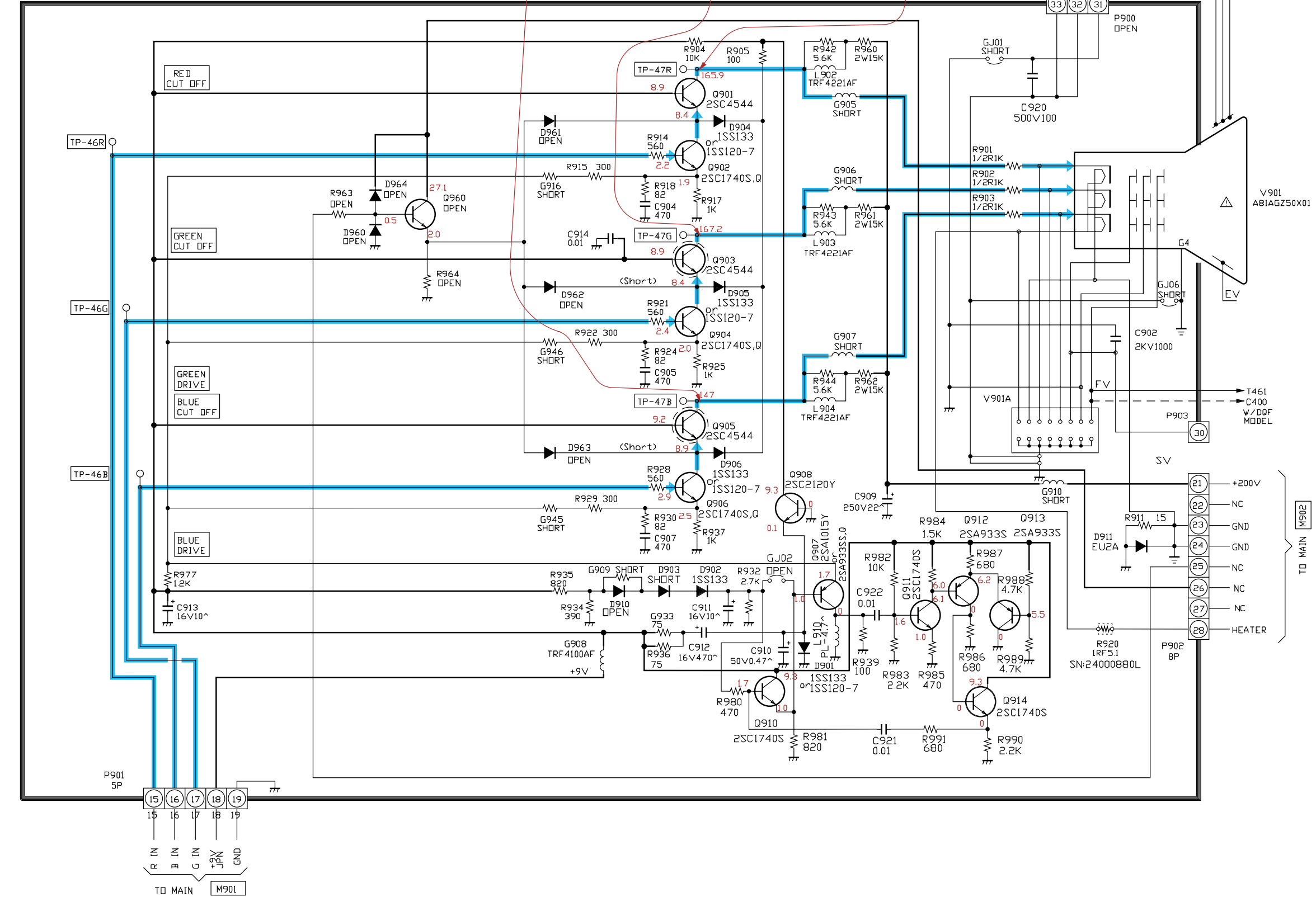
2

3

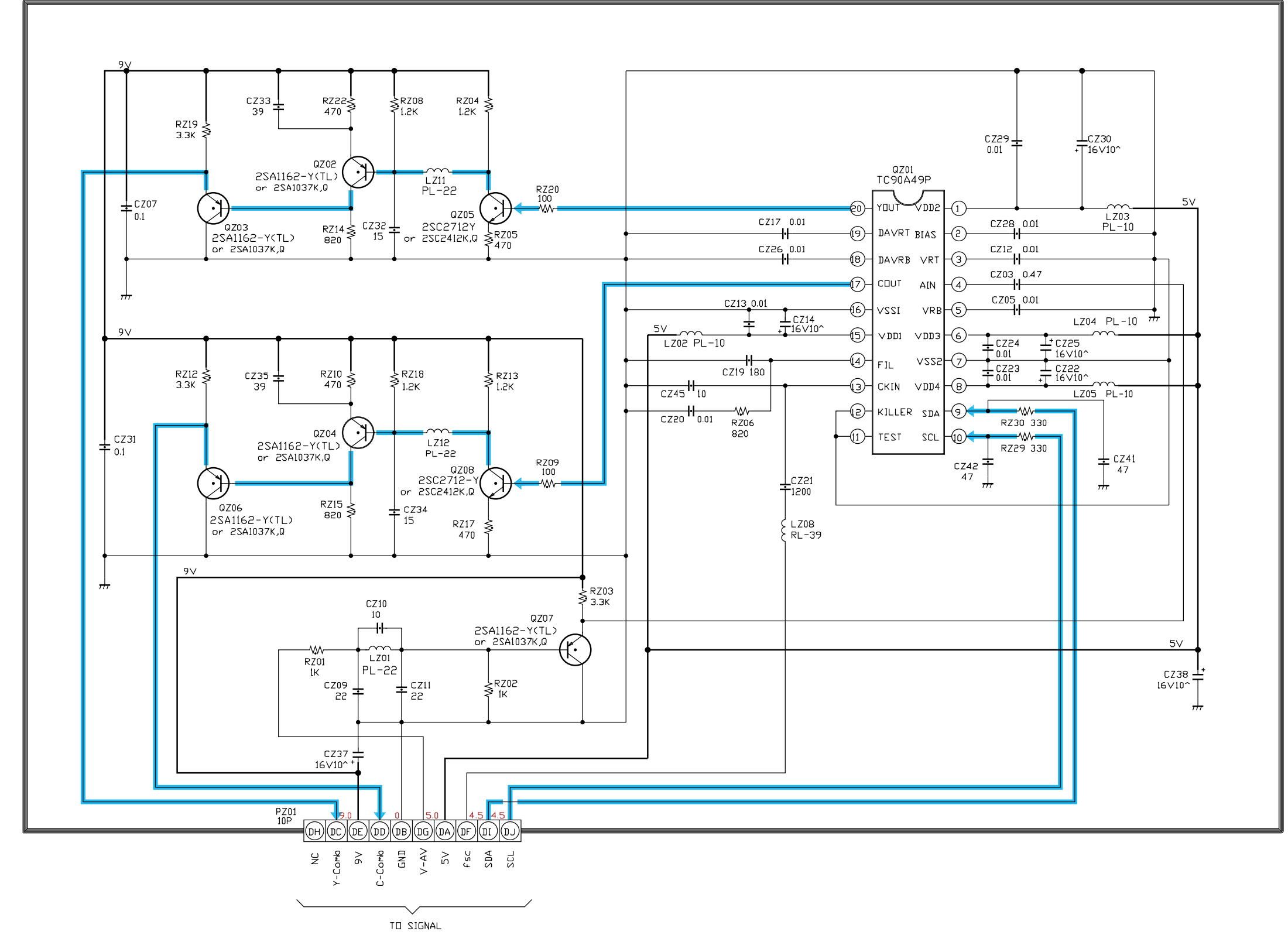




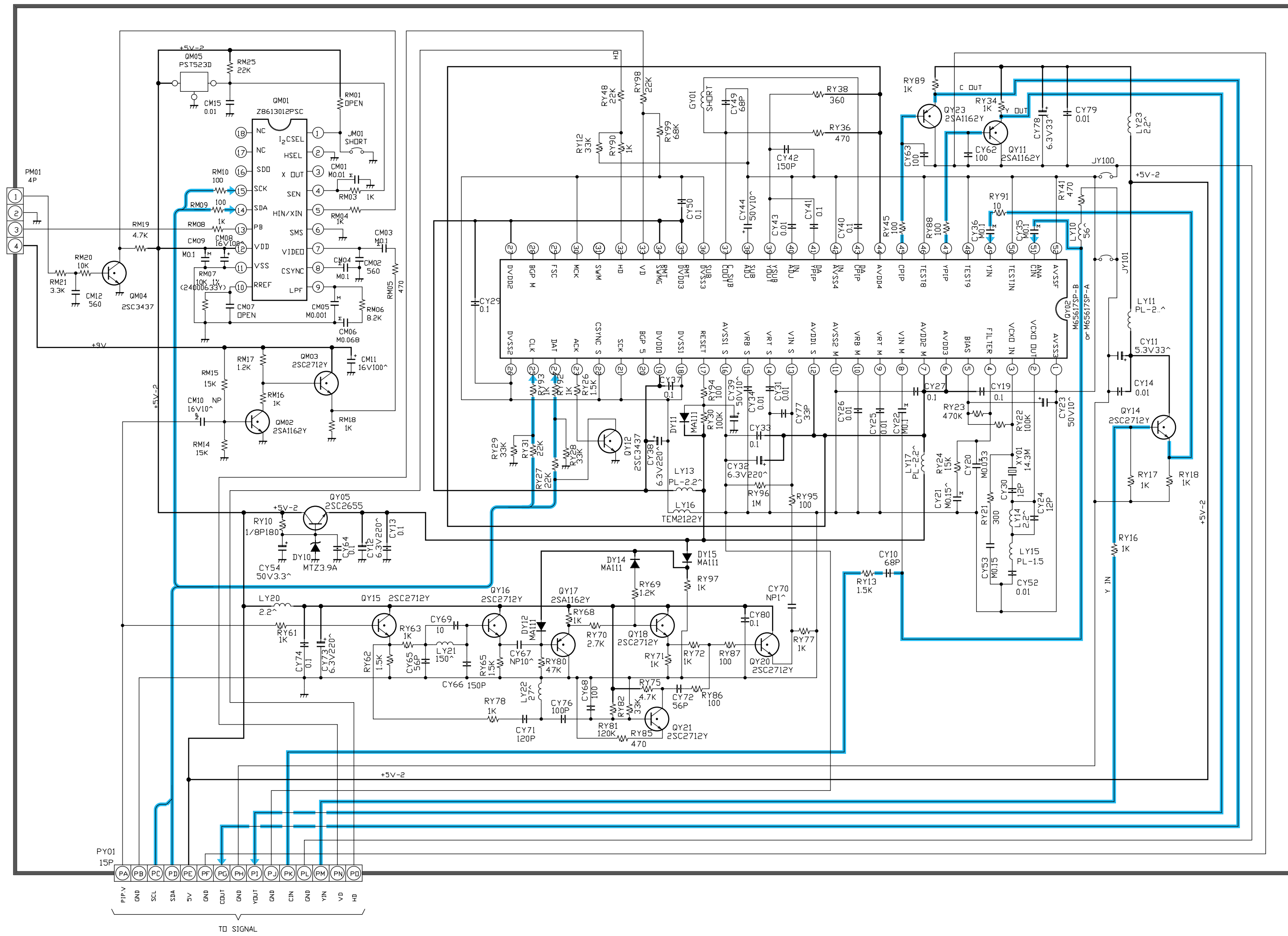
U901 CRT DRIVE
PB8625A



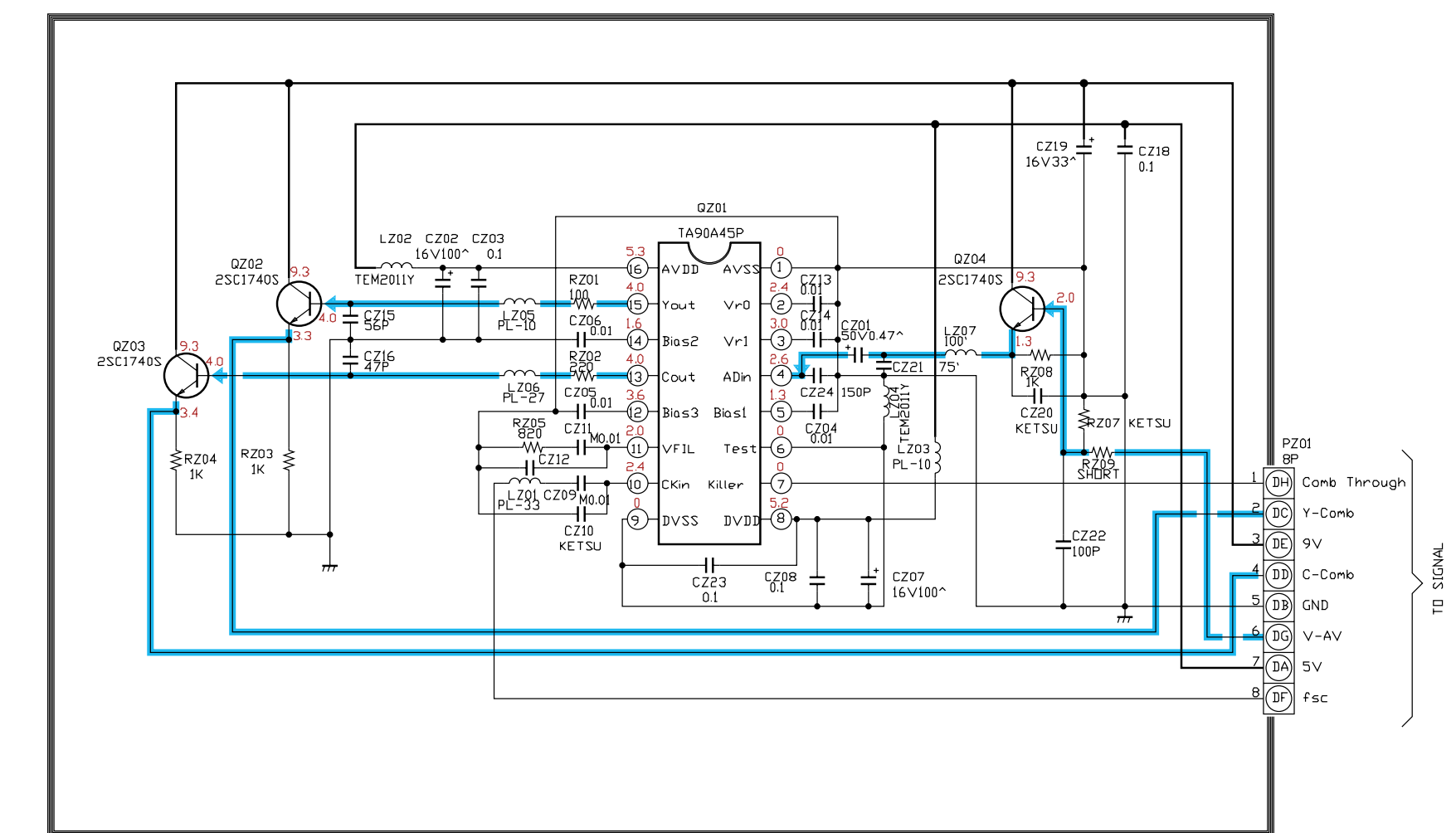
DIGITAL COMB FILTER(3LINE) PB9398



UY01 PIP (Reference)



DIGITAL COMB FILTER(2LINE) (Reference)



PIP/CRT-DRIVE
36A41/32A41

1

2

3

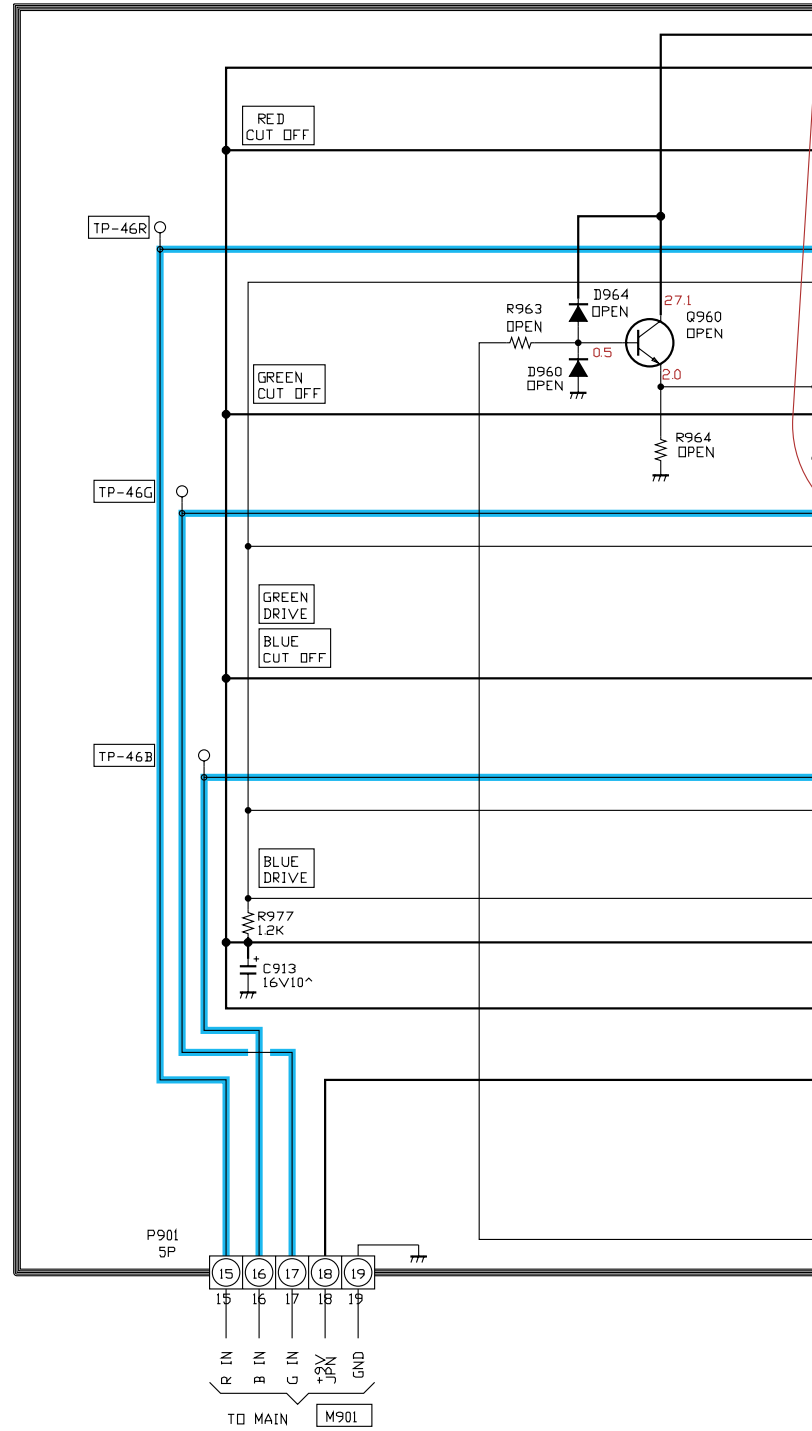
A

B

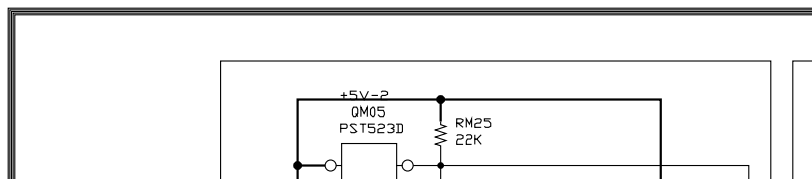
C

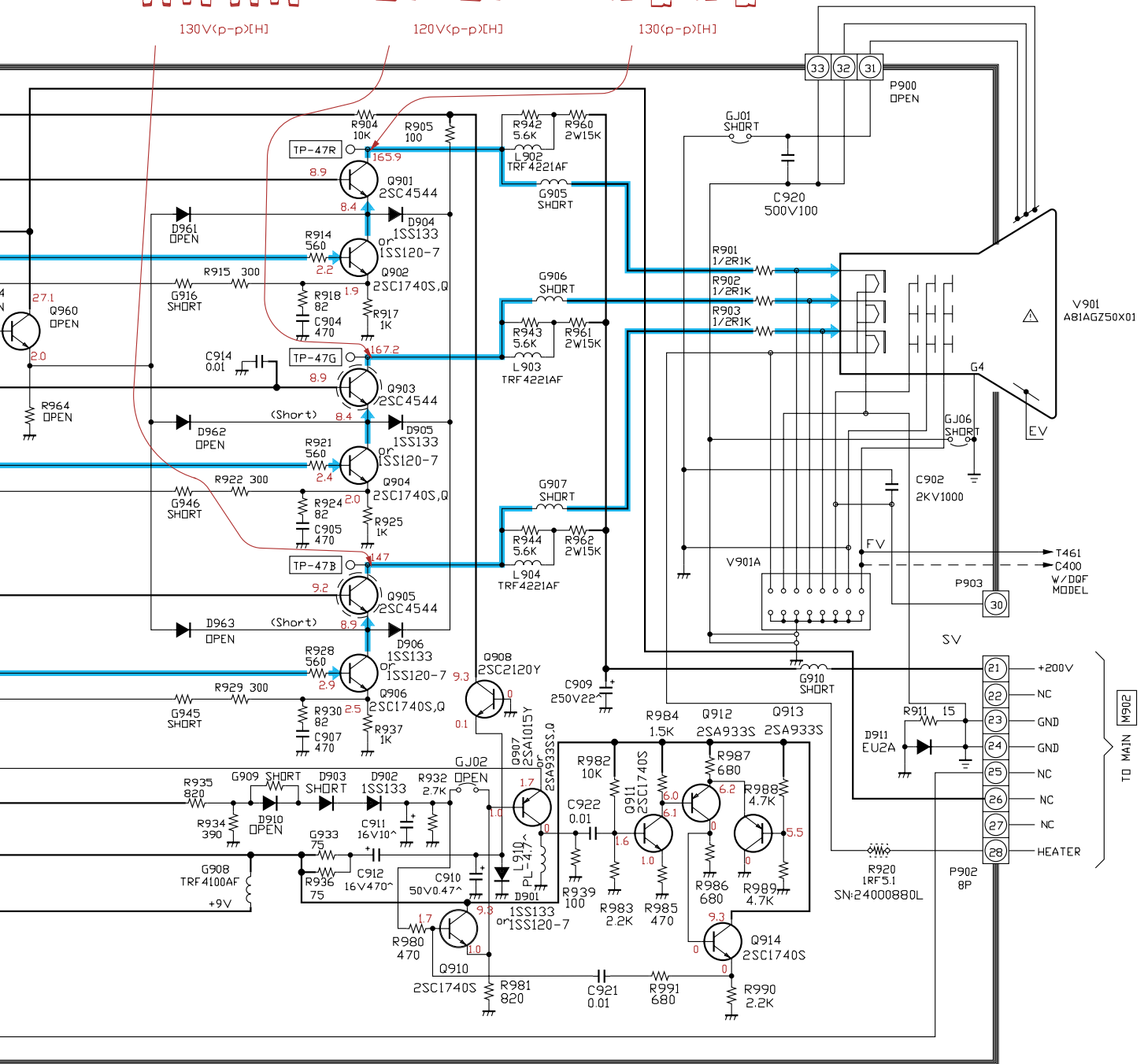
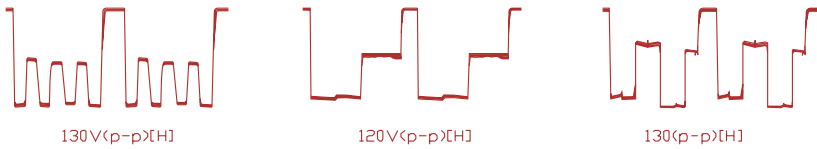
D

U901 CRT DRIVE PB8625A

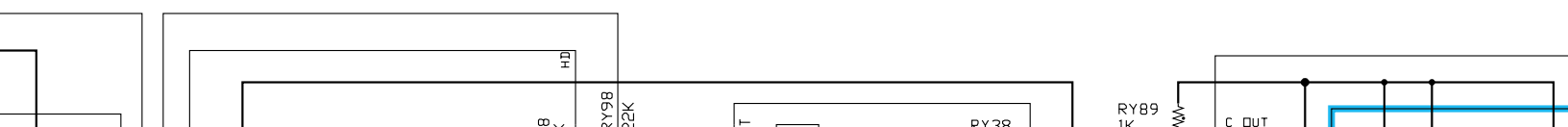


UY01 PIP



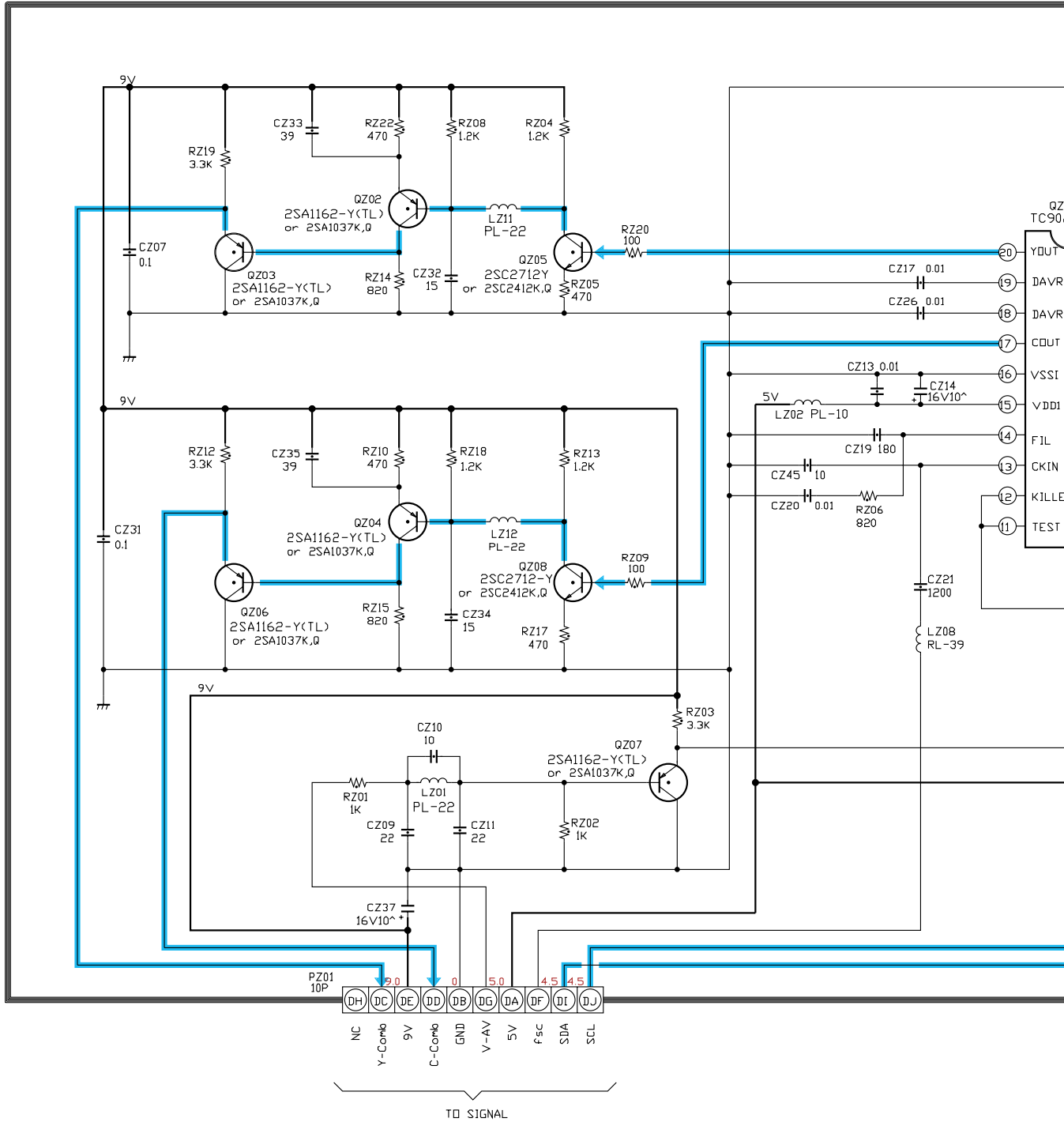


PIP (Reference)



DIGITAL COME FILTER(3LINE)

PB9398



DIGITAL COMB FILTER(2LINE)

10

11

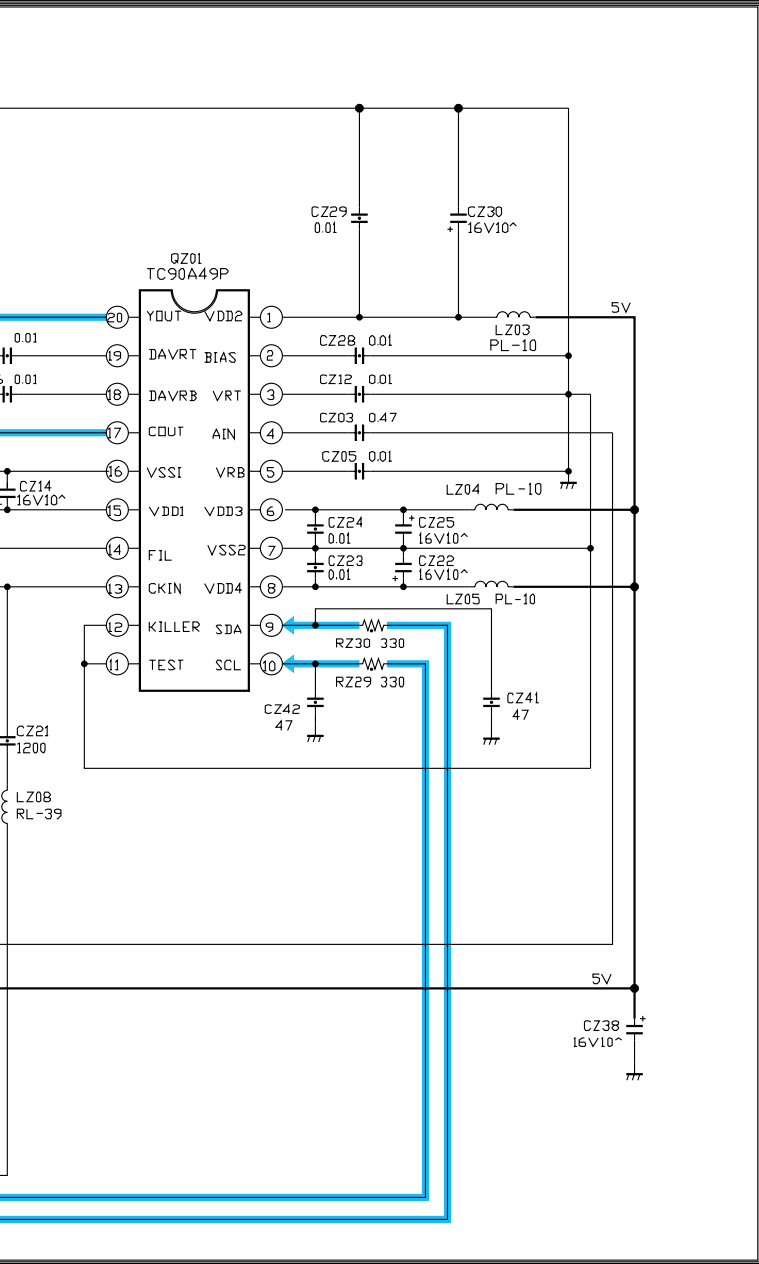
12

A

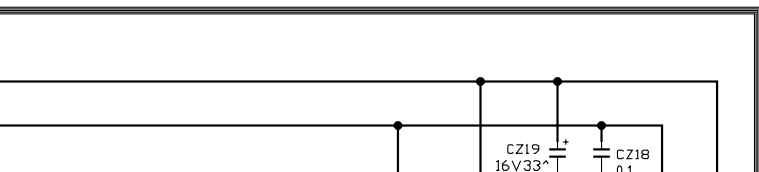
B

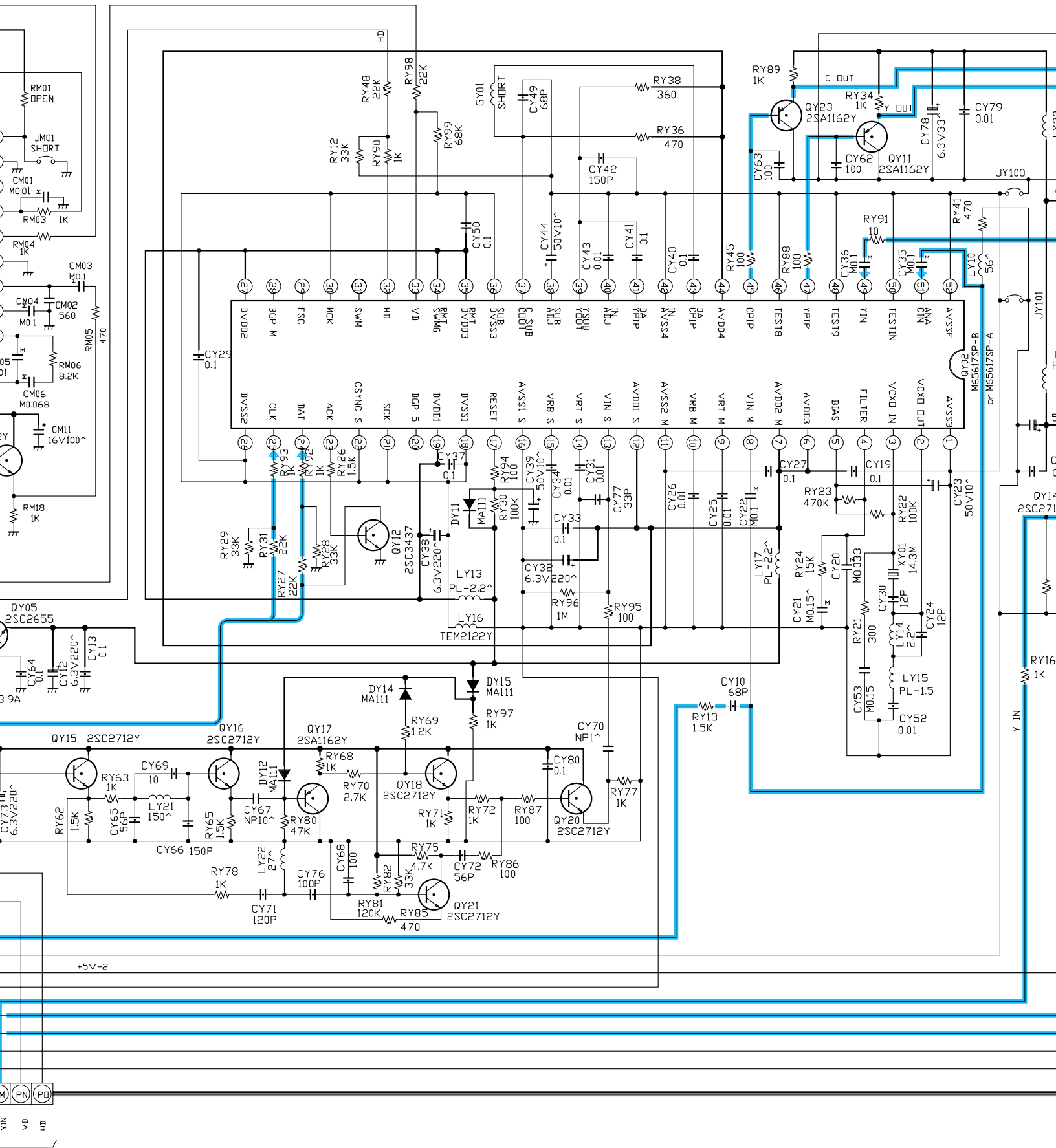
C

D



R(2LINE) (Reference)





3

4

5

6

